

# TUB GRINDERS



**HAYBUSTER**<sup>®</sup>  
www.haybuster.com

## **H-1000 TUB GRINDER**

The Haybuster PTO Tub Grinder line is made up of three sizes of grinders plus the option of an electric motor. The Haybuster Model H-1000 tub grinder is the most economical grinder available. Designed for the small rancher who still needs to get the hay ground. Fifty to 100 head cattle ranchers have learned to appreciate the ability and price of the H-1000. Of course, to make the H-1000 affordable for the smaller rancher, it's limited on certain features, compared to other Haybuster models. The limited features include no tub tilt and a lighter-duty hammermill. This hammermill only requires an 80 hp PTO tractor and ideally a 125 hp tractor for its maximum efficiency. If your herd size and tractor size fit these criteria, this may be the tub grinder for you.



## **H-1030 "BIG BITE" TUB GRINDER**

The latest introduction to the Haybuster PTO tub grinder family is the H-1030 model. It also has a 10' tub and comes equipped with tub tilt and heavy-duty hammermill, that is located in the rear of the tub. It also has a dual-auger system to discharge material efficiently to the hydraulic folding stacking conveyor. The H-1030 requires a minimum of 150 hp up to 315 hp tractor. The newly designed electronic governor protects the tractor and machine from overloads, allowing the tub grinder to grind efficiently and consistently.



# Haybuster Tub Grinder do for you?



## **H-1130 "BIG BITE" TUB GRINDER**

The H-1130 Big Bite tub grinder is Haybuster's heavy-duty PTO grinder. It is designed with the features and the durability you need in a 11' tub grinder. Some of these features include tub tilt, heavy hammermill with  $\frac{1}{2}$ " plates and  $\frac{1}{2}$ " hammers along with  $1 \frac{1}{4}$ " rods, dual augers and a 26' long stacking conveyor. The 315 hp drive system consists of an 8-groove belt/pulley system powered through a 77 series PTO driveline. The belt system tension is set at the factory and is designed to maintain its desired tension when stretching.



## **H-1130 ELECTRIC TUB GRINDER**

The H-1130 Electric tub grinder has all the features of the PTO driven heavy-duty H-1130. It's powered by two electric motors, a 300 hp motor that drives the hammermill and a 10 hp motor that powers the hydraulics. It is available with a variety of electrical packages.



# STANDARD FEATURES

## H-1000 TUB GRINDER



The Model H-1000 is now equipped with an 18" wide by 20' long hydraulic folding conveyor. The conveyor allows you to stack ground material up to 13' 9" high.



The hammermill is constructed of 3/16" thick x 15 3/4" diameter plates with 15/16" case hardened rods that hold 64-3/8" hammers. These hammers can be rotated and flipped for many hours of grinding.



The 8-groove belt system delivers sufficient power from the PTO to the hammermill. The system has a fixed belt tension to accommodate, stretch and wear without having to monitor belt tension. This drive system turns the mill at approximately 2 x PTO speed. This mill speed provides for smooth feeding and delivers high capacity grinding performance.



High-capacity grain grinding is another important operation that the H-1000 can also accomplish. By placing the optional grain-grinding hopper over the hammermill opening and changing screens, the H-1000 becomes a high capacity grain grinder for grinding and/or cracking feed grains.



The H-1000 tub is driven by a hydraulic motor which drives a heavy-duty roller chain. The sprocket on the tub is a continuous sprocket that provides a positive and smooth transmission of power to the tub.



The tub rotation is controlled by an electronic governor that stabilizes engine load by adjusting the tub speed based on rotor speed. It also controls tub direction and tub stop.

# OPTIONAL FEATURES

- PTO Shaft -1000 RPM
  - Tractor Half, 1-3/4 in, 20 Spline Shaft
  - Tractor Half, 1-3/8 in, 21 Spline Shaft
- Hammermill Feeding
  - Slug Buster, 5 tooth screen hold down
  - Mill Grate, for grinding tough hay or crop residues
- Geysers Plates
  - Geysers Plate Kit, use with the Slug Buster
  - Geysers Plate Kit, slotted, use with the Mill Grate
- Tires
  - (Set of 2) 9.5 x 14 - 8 ply Implement Tires
  - (Set of 2) 31x10.5x15 - load rating "C" Highway Rated Tires
- Loose Hay Guide, Front
- Hopper for Grain Grinding
- Ear Corn Kit
  - Better diets for dairy cows - an article from the USDA - describes how finely ground grains/corn can offer a better diet for cows.
- Closed Center Conversion Kit
  - This kit is required to operate the conveyor lift valve properly, with John Deere 60 and older series tractors.
- Grinding Screens
  - 1/8 in. (3.18 mm) Round Hole Screen Half\*
  - 3/16 in. (4.76 mm) Round Hole Screen Half\*\*
  - 1/4 in. (6.35 mm) Round Hole Screen Half
  - 3/8 in. (9.52 mm) Round Hole Screen Half
  - 1/2 in. (12.7 mm) Round Hole Screen Half
  - 5/8 in. (15.88 mm) Round Hole Screen Half
  - 3/4 in. (19.05 mm) Round Hole Screen Half
  - 1 in. (25.4 mm) Round Hole Screen Half
  - 1-1/2 in. (38.1 mm) Round Hole Screen Half
  - 2 in. (50.8 mm) Round Hole Screen Half
  - 3 in. (7.62 cm) Round Hole, Screen Half (standard)
  - 4 in. (10.16 cm) Round Hole, Screen Half (standard)
  - Dummy (Open) Screen Half
  - \*1/8 in. (3.18 mm) thick,
  - \*\*3/16 in. (4.76 mm) thick, all other screens are 1/4 in. (6.35 mm) thick



The dual 9" high-capacity augers mounted in the belly pan discharge the ground product to the stacking conveyor. The belly pan provides a clean area to catch and discharge small product such as ground corn and barley.



The hydraulic folding stacking conveyor is powered by a positive mechanical drive system.



The H-1000 tub 10' 3" wide and 44 1/2" deep and is constructed of a 10-gauge steel floor and a 14-gauge steel side wall. The H-1000 tub has the capacity to handle all types and sizes of bales.

## H-1030 "BIG BITE" TUB GRINDER



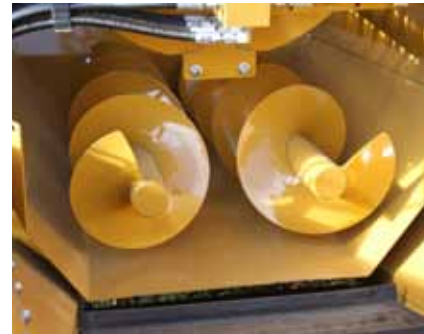
The H-1030 is equipped with a 44" long heavy duty hammermill that has been positioned to the rear of the tub. With the mill in the back, the ground product can quickly be discharged and transferred to the stacking conveyor. The hammermill is constructed of 3/8" thick plates with 1 1/4" case-hardened rods that hold 64-3/8" hammers. These hammers can be rotated and flipped for many hours of grinding. The mill is mounted to the frame with two 3" pillow block bearings on a 3 1/2" stress-proof shaft.



The 8 multiple belt drive system has been designed to handle increased horsepower and rotor speed. The spring tension belt drive system allows for constant belt tension while belts stretch and wear without having to manually adjust.



The heavy-duty bolt-in mill grate/slug bar combination is designed to allow the operator the ability to change the number of mill grate bars and slug bars as grinding conditions change. A geyser plate can be added to prevent product from being tossed straight up and out of the tub.



The H-1030 has 12" diameter x 4' long dual augers for discharging ground product. Augers are mounted with two heavy-duty bearings located at the base of the discharge, allowing free flow of product to the stacking conveyor. Expansion of the discharge area allows for higher capacity and reduces possibility for plugging.



The H-1030 has a 10' 3" wide heavy-duty tub. The tub is 44 1/2" deep and will handle all types and sizes of bales.



On the H-1030, the tub rotation feeds the hammermill using a Wachendorf Electronic Control Governor, which stabilizes engine load by adjusting or stopping the tub speed. It also controls tub direction, clockwise, stop, and counter-clockwise as well as tracking grinding hours.



The tub drive has continuous teeth around the tub and dual spring tensioners to keep the chain tight. Power is provided by a single hydraulic motor controlled by electronic governor.



The H-1030's tub opens a full 90 degrees for easy access to the hammermill and drive train for maintenance and service.



The 21' long x 24" wide hydraulically-folding conveyor is designed for the increased capacity of a 10' tub grinder. The conveyor folds over the top of the tub for easy transport. It is capable of stacking material up to 14' 9" high at a the maximum angle.



Large flotation implement tires provide for easy transportation and a stable base for the H-1030.



Grain grinding with a Haybuster PTO tub grinder has become a very popular use of our hay grinding machines. Installing a grain grinding hopper on the hammermill and changing screens will convert the H-1030 into a high-capacity grain grinder.

# OPTIONAL FEATURES

- PTO Shaft -1000 RPM  
Tractor Half, 1-3/4 in, 20 Spline Shaft  
Tractor Half, 1-3/8 in, 21 Spline Shaft
- Geyser Plates  
Geyser Plate Kit, use with the Slug Buster  
Geyser Plate Kit, slotted, use with the Mill Grate
- Hopper for Grain Grinding
- Ear Corn Kit  
Better diets for dairy cows - an article from the USDA - describes how finely ground grains/corn can offer a better diet for cows.
- Closed Center Conversion Kit  
This kit is required to operate the conveyor lift valve properly, with John Deere 60 and older series tractors.
- Grinding Screens  
1/8 in. (3.18 mm) Round Hole Screen Half\*  
3/16 in. (4.76 mm) Round Hole Screen Half\*\*  
1/4 in. (6.35 mm) Round Hole Screen Half  
3/8 in. (9.52 mm) Round Hole Screen Half  
1/2 in. (12.7 mm) Round Hole Screen Half  
5/8 in. (15.88 mm) Round Hole Screen Half  
3/4 in. (19.05 mm) Round Hole Screen Half  
1 in. (25.4 mm) Round Hole Screen Half  
1-1/2 in. (38.1 mm) Round Hole Screen Half  
2 in. (50.8 mm) Round Hole Screen Half  
3 in. (7.62 cm) Round Hole, Screen Half (standard)  
4 in. (10.16 cm) Round Hole, Screen Half (standard)  
5 in. (12.70 cm) Round Hole, Screen Half (standard)  
6 in. (15.24 cm) Round Hole, Screen Half (standard)  
7 in. (17.78 cm) Round Hole, Screen Half (standard)  
8 in. (20.32 cm) Round Hole, Screen Half (standard)  
Dummy (Open) Screen Half  
\*1/8 in. (3.18 mm) thick,  
\*\*3/16 in. (4.76 mm) thick, all other screens are 1/4 in. (6.35 mm) thick

## H-1130 "BIG BITE" TUB GRINDER



The dual 12" belly augers are suspended by two heavy-duty bearings and are located at the base of the newly-designed screen area. The auger system allows for a sealed under-screen discharge area. The larger discharge area also provides for higher capacities and reduces the potential for plugging.



The Big Bite 50" heavy-duty hammermill is now standard equipment and is located at the rear of the tub to reduce the length of the discharge. This, along with the increased area around and under the screens accelerates product discharge and reduces the potential of plugging. The heavy-duty hammermill operates at 2140 rpm and is constructed with 88 1/2" swinging hammers. The hammers are hardened and are held in place with 1 1/4" case-hardened hammer rods. The hammermill is mounted on a 3 1/2" stress-proof shaft supported by 3 1/4" bearings.



The DuraTech electronic governor slows protection for the tractor and the machine. This governor maintains a constant load on the tractor and driveline by adjusting the tubs rpm which controls the feed rate of the material to the hammermill.



The belt drive system for the hammermill has 8-5 VP belts to handle the increased rotor speed and increased horsepower capacity. The spring tension belt drive automatically adjusts belt tension as the belts stretch.



The tub drive has continuous teeth around the tub and dual spring tensioners. Power is provided by a single hydraulic motor controlled by the electronic governor.



The new heavy-duty bolt-in mill grate/9 bar mill grate combination is designed to allow the operator the ability to change the number of mill grate bars and slug bars as grinding conditions change.





The large H-1130 Big Bite Tub is constructed of a 10-gauge steel floor and a 12-gauge steel side wall. The width of the tub is 11' 3", is 50" deep and can handle the largest round and square bales.



The H-1130's tub opens a full 90 degrees for easy access to the hammermill and drive train for service and maintenance.



The hydraulic folding 24" wide by 26' long high-capacity stacking conveyor is designed for the increased capacity of the H-1130. It can stack material 18' 6" high.



Large 16.5 x 16.1, 14-ply flotation implement tires provide for easy transportation and a solid base for the H-1130.



High-capacity grain grinding can also be done with the H-1130 tub grinder. Just add in the grain hopper and change the screens and you have a high capacity grain grinder for grinding and/or cracking feed grains.

# OPTIONAL FEATURES

- PTO Shaft -1000 RPM
  - Tractor Half, 1-3/4 in, 20 Spline Shaft
  - Tractor Half, 1-3/8 in, 21 Spline Shaft
- Hammermill Feeding
  - Slug Buster, 5 tooth screen hold down Bolt in Mill grate/slug bar for grinding tough hay or crop residue.
- Geysers Plates
  - Geysers Plate Kit, use with the Slug Buster
  - Geysers Plate Kit, slotted, use with the Mill Grate
- Hopper for Grain Grinding
- Ear Corn Kit
  - Better diets for dairy cows - an article from the USDA -describes how finely ground grains/corn can offer a better diet for cows.
- Closed Center Conversion Kit
  - This kit is required to operate the conveyor lift valve properly, with John Deere 60 and older series tractors.
- Grinding Screens
  - 1/8 in. (3.18 mm) Round Hole Screen Half\*
  - 3/16 in. (4.76 mm) Round Hole Screen Half\*\*
  - 1/4 in. (6.35 mm) Round Hole Screen Half
  - 3/8 in. (9.52 mm) Round Hole Screen Half
  - 1/2 in. (12.7 mm) Round Hole Screen Half
  - 5/8 in. (15.88 mm) Round Hole Screen Half
  - 3/4 in. (19.05 mm) Round Hole Screen Half
  - 1 in. (25.4 mm) Round Hole Screen Half
  - 1-1/2 in. (38.1 mm) Round Hole Screen Half
  - 2 in. (50.8 mm) Round Hole Screen Half
  - 3 in. (7.62 cm) Round Hole, Screen Half (standard)
  - 4 in. (10.16 cm) Round Hole, Screen Half (standard)
  - 5 in. (12.70 cm) Round Hole, Screen Half (standard)
  - 6 in. (15.24 cm) Round Hole, Screen Half (standard)
  - 7 in. (17.78 cm) Round Hole, Screen Half (standard)
  - 8 in. (20.32 cm) Round Hole, Screen Half (standard)
  - Dummy (Open) Screen Half
  - \*1/8 in. (3.18 mm) thick,
  - \*\*3/16 in. (4.76 mm) thick, all other screens are 1/4 in. (6.35 mm) thick



## H-1130 ELECTRIC TUB GRINDER

The H-1130 Electric tub grinder has all the features of the PTO driven heavy duty H-1130. It's powered by two electric motors, a 300 HP motor that drives the hammermill and a 10 HP motor that powers the hydraulics. It is available with a variety of electrical packages.



A soft start panel provides for "soft" startup for the main drive 300 hp (23.8 kw) motor. The 10 hp (7.46 kw) motor that drives the hydraulics is a direct line start. Electric motors are available in 460 volt-60 Hz, 380 volt-50 Hz, 380 volt-60 Hz and 575 volt-60 Hz. All require three phase power. Please check with your power supplier for the proper power requirements for your area before ordering.

## MODEL H-1000 SERIES II

PTO Tub Grinder

### WEIGHT:

Total - 6,830 lbs (2,909 kg)

### TRANSPORT DIMENSIONS:

Width - 10' 3" (3.12 m)

Length - 20' (6.50 m)

Height - 10' 2" (3.1 m)

### CHASSIS FEATURES:

Towing Arrangement - Clevis Type Hitch

Bearings - Tapered Roller

### TUB FEATURES:

Loading Height - 8' (2.44 m)

Tub Width at Flare - 10' (3.05 m)

Depth - 44 1/2" (1.13 m)

Tub Inside Dia. at Base - 8' (2.44 m)

Tub Wall Thickness - 12 gauge (1.9 mm)

Tub Floor Thickness - 10 gauge (3.42 mm)

Drive Mechanism - Full Sprocket around tub-Electro/Hydraulic

Speed Control - Electronic Governor

### HAMMERMILL:

Length - 44 1/2" (1.13 m)

Diameter, Hammers Extended - 26" (66 cm)

Feed Opening - 27" x 45" (68.58 cm)

Hammers - 3/8" (9.52 mm) Thick, A.B. Hardened Swing

Number of Hammers - 64

Hammer Rods - 1 5/16" (23.81 mm) Dia, Case-Hardened

Cylinder Plates - 3/16" Thick x 15 3/4" Dia.

Cylinder Shaft - 3" (7.62 cm), Stress-Proof Steel

Drive End Bearing - 2 3/4" (6.98 cm), Pillow Block

Idle End Bearing - 2 7/16" (6.19 cm), Pillow Block

Screens - 1/8" (3.18 mm), 3/16" (4.76 mm), or 1/4" (6.35 mm)

Thick and Various Hole Sizes from 1/8" (3.18 mm) to 4" (101.6 cm)

Screen Area - 2,400 sq. in. (6,096 sq. cm)

Drive - PTO Through Multiple V Belts

### BELLY CONVEYOR:

Type - Double Free Floating Augers

Auger Size - 9" (22.86 cm) x 96" (2.44 m)

Width - 33 3/4" (85.72 cm)

Drive - Mechanical

### DISCHARGE CONVEYOR:

Type - Rubber Belt With Cleats

Drive - Mechanical

Drive & Idler Roller Type - "Easy Clean"

Length - 20' (6.1 m)

Width - 18" (45.72 cm)

Maximum Conveyor Lift Height - 13' 9" (4.19 m)

Conveyor Lift - Hydraulic

Conveyor Lift Cylinder - 3" x 12" (7.62 cm x 30.48 cm)

Conveyor Fold - Hydraulic folding over rear of tub

### OPERATOR CONTROLS:

Tub Rotation - 3 Position Hydraulic Valve for Clockwise, Stop, & Counter-Clockwise

Tub Speed - DuraTech Model RCB93 Electronic Governor Stabilizes Engine Load by Controlling Tub Rotation Speed

Conveyor Lift - 3-Position Hydraulic Valve for Raise, Hold, & Lower

### REQUIREMENTS FOR OPERATION:

#### TRACTOR:

PTO Horsepower Required - 80 to 175

Min. Hydraulic Output - 8 gpm at 1,500 psi (46 lpm x 10,345 kpa)

Hydraulic Remote Controls - (1) Double-Acting Control Valve With Quick Coupler Outlets

Electrical - 12 VDC

#### GRINDER:

Hydraulic Reservoir - Capacity 12 gal (45.6 liter)

Oil Requirement (Mobil 423, Co-op Super HTB or Equivalent)

SMV Sign - Standard Equipment

Road Lights - Standard Equipment

## MODEL H-1030 "BIG BITE"

PTO Tub Grinder

### WEIGHT:

Total - 13,300 lbs (873.17 kg)

Hitch - 1,925lbs (873.17 kg) *with conveyor raised and folded*

### TRANSPORT DIMENSIONS:

Width - 10' 4" (3.15 m)

Length - 19' 4" (5.87 m)

Height - 10' 1" (3.07 m)

### OPERATING DIMENSIONS:

Total Width - 10' 2" (3.09 m)

Total Width, Tub Raised - 11' 9" (3.58 m)

### CHASSIS FEATURES:

Towing Arrangement - Clevis Type Hitch

Tires - (2) 16.5L x 16.1 SI - 14 Ply High Flotation Implement Tires

Wheels - (2) 16.1 x w14c - 8 Bolt, 6" (15.24 cm) Pilot

Bearing Type - Tapered Roller

### TUB FEATURES:

Loading Height - 9' 2" (2.79 m)

Tub Width at Flare - 10' 2" (3.1 m)

Depth - 44.1" (1.12 m)

Tub Inside Diameter at Base - 95.5" (2.43 m)

Tub Wall Thickness - 12 gauge (2.66 mm)

Tub Floor Thickness - 10 gauge (3.42 mm)

### HAMMERMILL - Heavy Duty :

Length - 43" (109.2 cm)

Diameter, Hammers Extended - 26" (66.04 cm)

Feed Opening - 28" x 45" (71.1 cm x 114.3 cm)

Hammers - HD-1/2" (12.7 mm) A.B. Hardened, Swing

Number of Hammers - 64

Hammer Rods - 1 1/4" (31.75 mm) Dia, Case-Hardened

Cylinder Plates - HD Mills: 3/8" (0.95 cm) Thick x 15 3/4" (40.01 cm)

Cylinder Shaft - 3 1/2" (8.89 cm), Stress-Proof Steel

Bearings - 3" (7.62 cm), Pillow Block Bearings

Drive - PTO Through Multiple V-Belts, 1000 RPM, 1 3/8" Dia. 21 Spline Shaft, or 1 3/4" Dia. 20 Spline Shaft

Screens - 1/8" (3.18 mm), 3/16" (4.76 mm), or 1/4" (6.35 mm) Thick and Various Hole Sizes from 1/8" (3.18 mm) to 8" (203.2 mm) **Must Order 2 Screens of Choice With Machine-Not Standard equipment**

### BELLY AUGERS:

Size: Twin 12" (30.48 cm) diameter x 48" (121.92 cm) long

Drive - Hydraulic

### DISCHARGE CONVEYOR:

Type - Rubber Belt with Cleats

Drive - Hydraulic

Drive & Idler Roller Type - Rubber Lagged Drive Pulley, "Easy Clean" Idler

Length - 21' (6.4 m)

Width - 24" (60.96 cm)

Maximum Conveyor Discharge Height - 14' 9" (4.5 m) @ 40° Incline

Conveyor Lift - Hydraulic

Conveyor Lift Cylinder - 3 1/2" x 20" (7.62 cm x 50.8 cm)

Conveyor Fold - Hydraulic

### OPERATOR CONTROLS:

Tub Rotation - Wachendorf A35 display switch controlled. Clockwise, Stop, & Counter-Clockwise

Tub Speed - Wachendorf A35 with ECU 710 Control Electronic Governor Stabilizes Engine Load by Adjusting Tub Rotation Speed

Conveyor Lift - Electric/Hydraulic Switch Control Uses Tractor SCV

Conveyor Fold - Electric/Hydraulic Switch Control Uses Tractor SCV

Conveyor On/Off: Wachendorf A35 display switch controlled

Tub Tilt: Electric/Hydraulic Switch Control Uses Tractor SCV

### REQUIREMENTS FOR OPERATION:

PTO Horsepower Required - 150 HP (118.85 kw) to 315 HP (234.9 kw)

Min. Hydraulic Output - 8 gpm at 1,500 psi (46 lpm x 10,345 kpa)

Hydraulic Remote Controls - 1 Double-Acting Control Valves With Quick Coupler Outlets

Electric - 12 VDC

#### GRINDER:

Hydraulic Reservoir Capacity - 60 gal (227.12 l) of Hydraulic Oil, (Mobil 423, CENEX Super HTB or Equivalent)

Mill Grate Kit: This Kit Includes 5 Removable Mill Grates as well as 6 Removable Slug Bars for Improved Grinding Performance in Tough Hay and Stover

## MODEL H-1130 "BIG BITE"

PTO Tub Grinder

### WEIGHT:

Total - 14,500 lbs (6577.1 kg)

Hitch - 1,925lbs (873.2 kg) *with conveyor raised and folded*

### TRANSPORT DIMENSIONS:

Width - 11' 4" (3.35 m)

Length - 21' 8" (6.6 m)

Height - 10' 7" (3.2 m)

### OPERATING DIMENSIONS:

Total Width - 11' 3" (3.35 m)

Total Width, Tub Raised - 12' 6" (3.81 m)

### CHASSIS FEATURES:

Towing Arrangement - Clevis Type Hitch

Tires - (2) 16.5L x 16.1 SI - 14 Ply High Flotation Implement Tires

Wheels - (2) 16.1 x w14c - 8 Bolt, 6" (15.24 cm) Pilot

Bearing Type - Tapered Roller

### TUB FEATURES:

Loading Height - 9' 2" (2.79 m)

Tub Width at Flare - 11' 3" (3.35 m)

Depth - 50" (1.27 m)

Tub Inside Diameter at Base - 8' 11" (2.72 m)

Tub Wall Thickness - 12 gauge (2.66 mm)

Tub Floor Thickness - 10 gauge (3.42 mm)

### HAMMERMILL - Heavy Duty :

Length - 50" (127 cm)

Diameter, Hammers Extended - 26" (66.04 cm)

Feed Opening - 28" x 52" (71.1 cm x 132.1 cm)

Hammers - HD-1/2" (12.7 mm) A.B. Hardened, Swing

Number of Hammers - 88

Hammer Rods - 1 1/4" (31.75 mm) Dia, Case-Hardened

Cylinder Plates - HD Mills: 1/2" (12.7 cm) Thick x 15 3/4" (40.01 cm)

Cylinder Shaft - 3 1/2" (8.89 cm), Stress-Proof Steel

Bearings - 3 1/4" (8.23 cm), Pillow Block Bearings

Drive - PTO Through Multiple V-Belts, 1000 RPM, 1 3/8" Dia. 21 Spline Shaft, or 1 3/4" Dia. 20 Spline Shaft

Screens - 1/8" (3.18 mm), 3/16" (4.76 mm), or 1/4" (6.35 mm) Thick and Various Hole Sizes from 1/8" (3.18 mm) to 8" (203.2 mm) **Must Order 2 Screens of Choice With Machine-Not Standard equipment**

### BELLY AUGERS:

Size: Twin 12" (30.48 cm diameter-4' 6" (1.37 m) Long)

Drive - Hydraulic

### DISCHARGE CONVEYOR:

Type - Rubber Belt with Cleats

Drive - Hydraulic

Drive & Idler Roller Type - Rubber Lagged Drive Pulley, "Easy Clean" Idler

Length - 26' (7.92 m)

Width - 24" (60.96 cm)

Maximum Conveyor Discharge Height - 18' 6" (5.64 m) @ 40° Incline

Conveyor Lift - Hydraulic

Conveyor Lift Cylinder - 3" x 20" (7.62 cm x 50.8 cm)

Conveyor Fold - Hydraulic

### OPERATOR CONTROLS:

Tub Rotation - 3-Position Hydraulic Valve for Clockwise, Stop, & Counter-Clockwise

Tub Speed - DuraTech Model RCB93 Electronic Governor Stabilizes Engine Load by Adjusting Tub Rotation Speed

Conveyor Lift - 3-Position Hydraulic Valve for Raise, Hold, & Lower

Conveyor Fold - 3-Position for Fold, Unfold, Hold

Conveyor On/Off: Two-Position Hydraulic Valve for Forward/Off

Tub Tilt: Tractor Hydraulic

### REQUIREMENTS FOR OPERATION:

PTO Horsepower Required - 200 HP (149.2 kw) to 315 HP (234.9 kw)

Min. Hydraulic Output - 8 gpm at 1,500 psi (46 lpm x 10,345 kpa)

Hydraulic Remote Controls - 2 Double-Acting Control Valves With Quick Coupler Outlets

Electrical - 12 VDC

#### ELECTRIC MOTORS:

300 HP (223.8 kw) Drive Motor; 10 HP (7.5 kw) Hydraulic drive

Volts Available: 460V-60Hz, 380 V-50Hz, 380V-60Hz, 575-60Hz

Electric Motors require three phase power. **Please check with your power supplier for the proper voltage and Hz for your area**

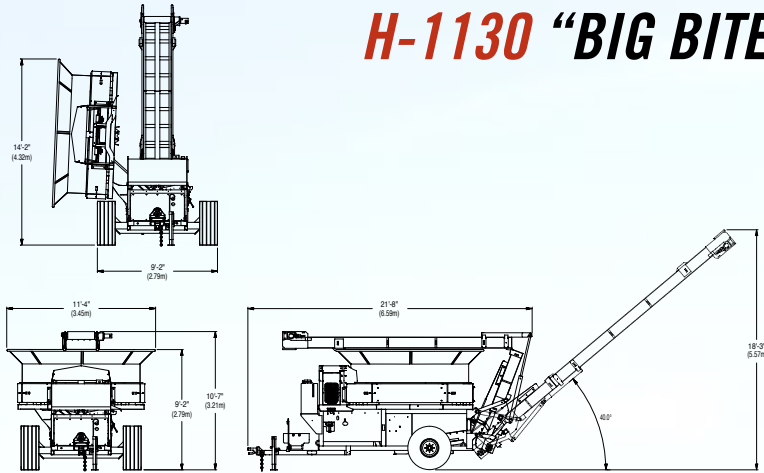
#### GRINDER:

Hydraulic Reservoir Capacity - 60 gal (227.12 l) of Hydraulic Oil, (Mobil 423, CENEX Super HTB or Equivalent)

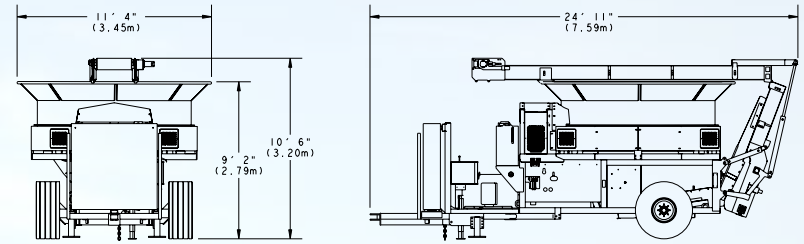
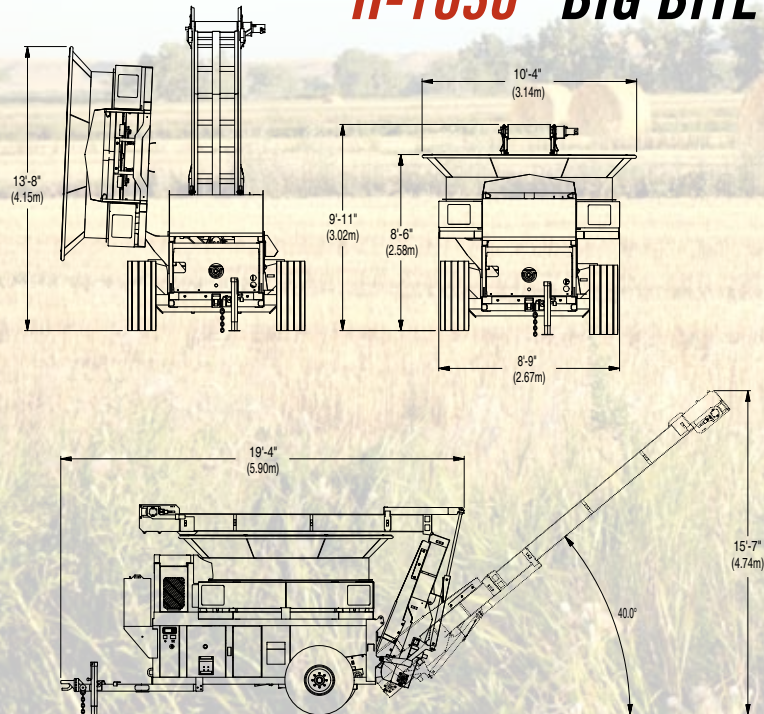
Mill Grate Kit: This Kit Includes 5 Removable Mill Grates as well as 6 Removable Slug Bars for Improved Grinding Performance in Tough Hay and Stover

# MECHANICAL DRAWINGS

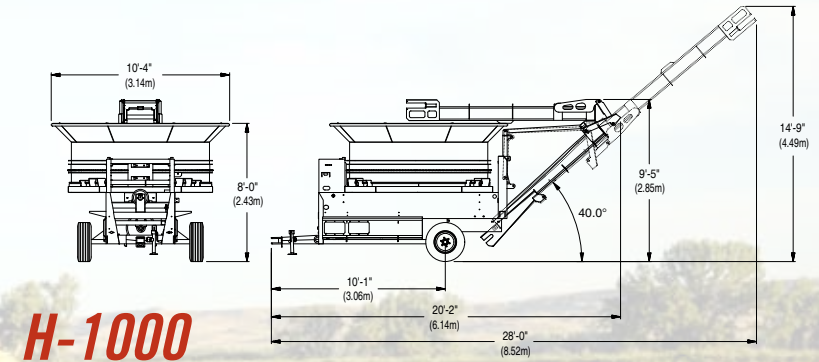
## H-1130 "BIG BITE"



## H-1030 "BIG BITE"



## H-1130 ELECTRIC



## H-1000

**HAYBUSTER**<sup>®</sup>  
[www.haybuster.com](http://www.haybuster.com)

**DURATECH**<sup>®</sup>  
**INDUSTRIES**

PO Box 1940  
 Jamestown, ND 58402-1940  
 Phone: (701) 252-4601  
 Fax: (701) 252-0502